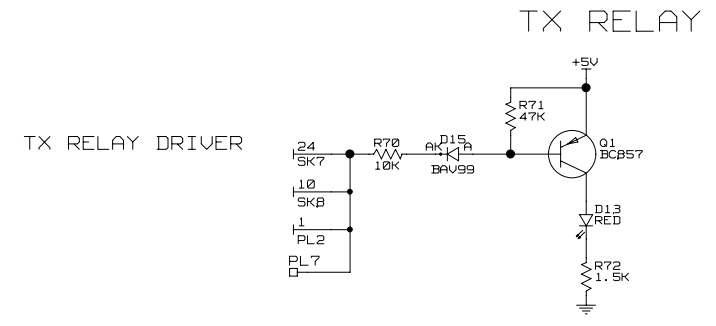
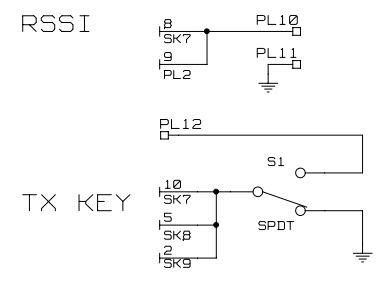
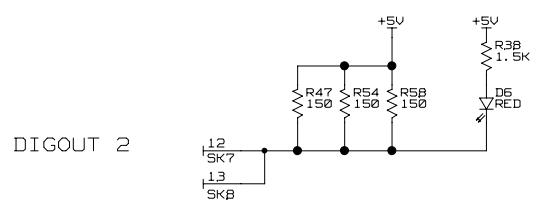
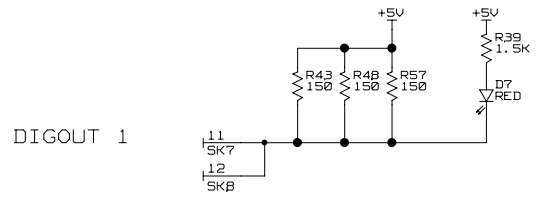
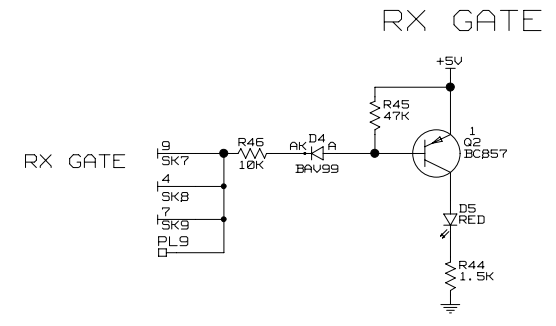
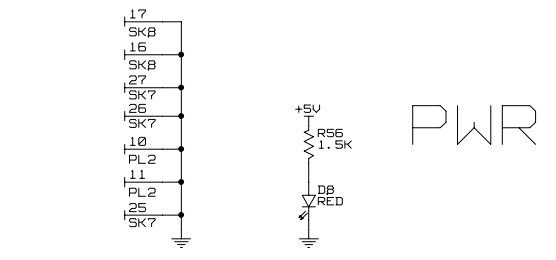
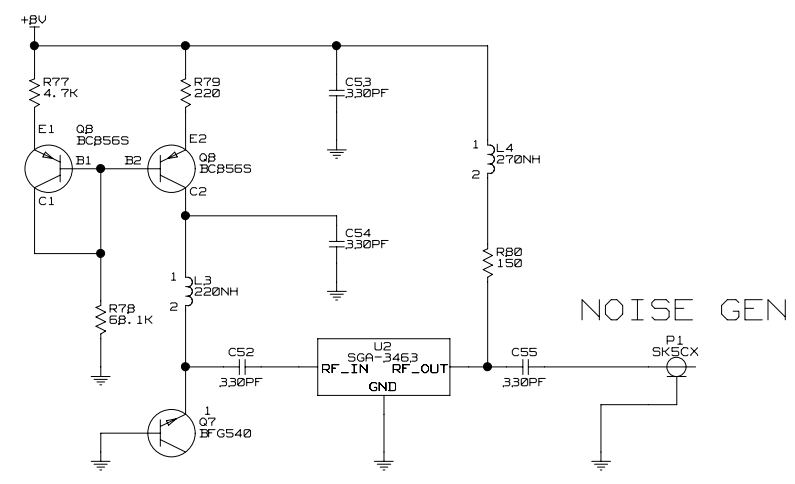
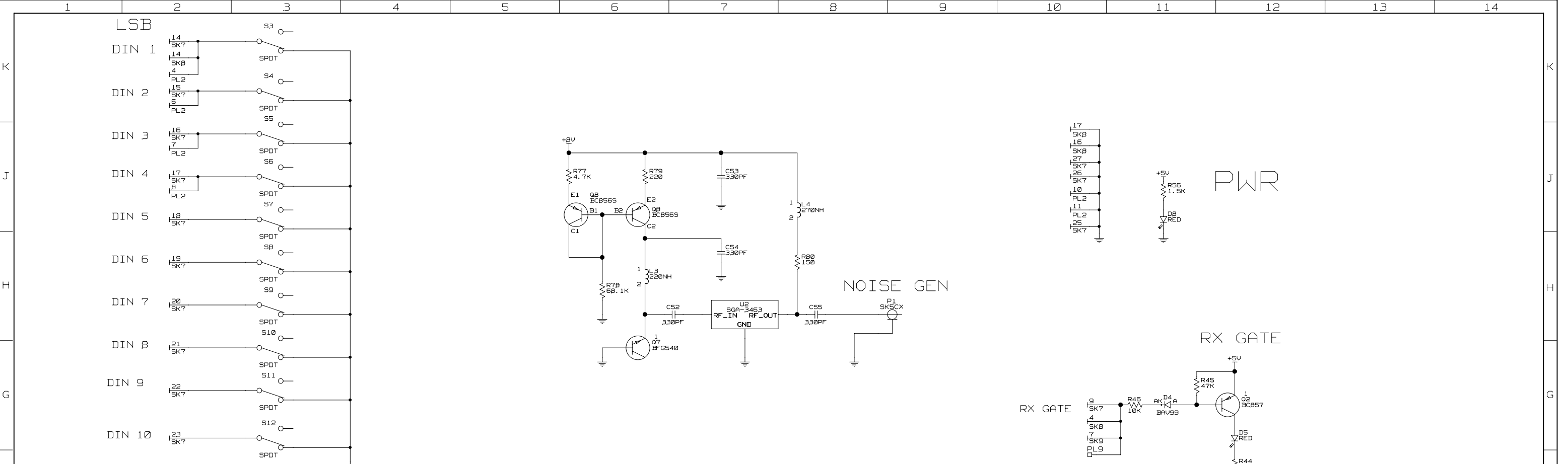


07A	ECO 101250098	TB	AC	CJK	GS	16/08/05
06A	ECO 101200451	TB	AC	CJK	GS	14/10/04
05A	ECO ?????????	CJK	AC	CJK	GS	29/07/04
04A	DCO 02031-003	BAM	ML	CK	ML	08/04/03
03A	DCO 02031-002	SA	ML	CK	ML	15/01/03
REV/ISS	AMENDMENTS	DRAWN	CHKD	D. O.	APVD	DATE

© TAIT ELECTRONICS		A1
TB8000		
CALIBRATION TEST UNIT		
IPN:	ISSUE:	VARIANT NUMBER:
220-02031-07	A	?
FILE DATE: Tue Aug 02 09:02:23 2005		
ENGINEER:	FILE NAME:	SHEET NUMBER:
GS	220_02031	1 OF 2



REV/ISS	AMENDMENTS	DRAWN	CHKD	D. O.	APVD	DATE
1	2	3	4	5	6	7

© TAIT ELECTRONICS		A1
TB8000		
CALIBRATION TEST UNIT		
IPN:	ISSUE:	VARIANT NUMBER:
220-02031-07	A	?
FILE DATE: Fri Jul 08 09:44:45 2005		
ENGINEER:	FILE NAME:	SHEET NUMBER:
GS	220_02031	2 OF 2